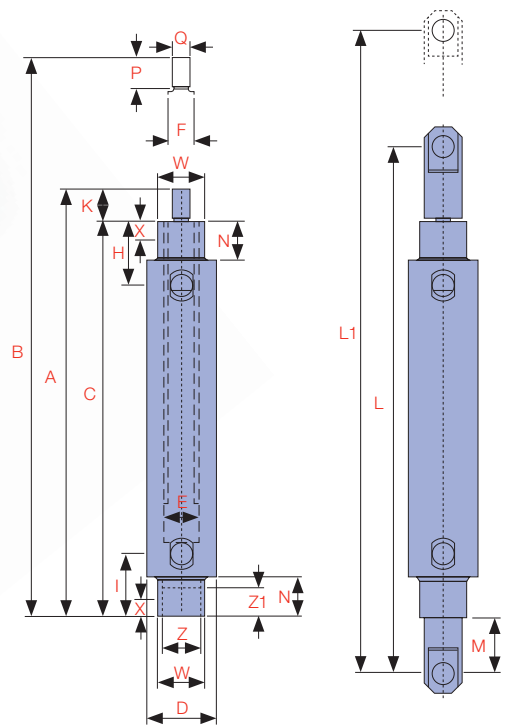




RDP-96

THE **RDP-SERIES** IS A HIGH PRECISION DOUBLE ACTING CYLINDER FOR USE IN APPLICATIONS WHERE ITS UNIQUE MOUNTING CONFIGURATIONS SIMPLIFY INSTALLATION. IT IS THE PERFECT CHOICE FOR PRODUCTION APPLICATIONS DUE TO THEIR HIGH-CYCLE PERFORMANCE.

All RDP-Series cylinders feature a hard chrome piston rod for maximum resistance to corrosion and wear. All models include collar thread, piston rod threads and base mounting holes. Optional mounting accessories including clevis ends are available.



Model Number	Cylinder Capacity			Stroke (mm)	Cylinder Effective Area		Oil Capacity		A Collapsed Height (mm)	B Extended Height (mm)	C Body Length (mm)	D Outside Diameter (mm)	E Cylinder Bore Diameter (mm)	F Piston Rod Diameter (mm)
	ton*	Advance kN	Retract kN		Advance (cm ²)	Retract (cm ²)	Advance (cm ³)	Retract (cm ³)						
RDP-41	4	35	16	29	5.1	2.2	14	6	186	214	162	50.1	25.4	19.0
RDP-43		35	16	80	5.1	2.2	40	17	237	316	213	50.1	25.4	19.0
RDP-46		35	16	156	5.1	2.2	79	34	313	468	289	50.1	25.4	19.0
RDP-91	9	80	44	29	11.4	6.3	32	18	223	251	198	63.5	38.1	25.4
RDP-93		80	44	80	11.4	6.3	90	50	274	353	249	63.5	38.1	25.4
RDP-96		80	44	156	11.4	6.3	177	98	350	505	325	63.5	38.1	25.4
RDP-910		80	44	257	11.4	6.3	293	162	452	709	427	63.5	38.1	25.4
RDP-166	16	142	77	159	20.3	10.6	323	169	389	548	359	76.2	50.8	35.0
RDP-1610		142	77	260	20.3	10.6	528	276	491	751	461	76.2	50.8	35.0
RDP-256	25	222	98	159	31.7	13.7	504	218	424	583	397	92.2	63.5	47.8
RDP-2510		222	98	260	31.7	13.7	824	356	526	786	499	92.2	63.5	47.8

*Nominal Cylinder Capacity in ton - see kN values for actual capacity

CYLINDER BODY MOUNTING THREADS

piston rod threads and base mounting holes permit easy installation

HARD CHROME PLATED PISTON ROD

for maximum corrosion resistance and cylinder life

PARKER

industry standard high flow couplings for compatibility

CLEVIS ENDS

and other optional mounting accessories available



CAPACITY RANGE
4 - 25 ton

STROKE RANGE
29 - 260 mm

MAXIMUM OPERATING PRESSURE
700 bar




Durapac offer a range of clevis eye, retaining nut & foot or flange mounting attachments to suit the **RDP-Series** cylinders. Refer to Cylinder Accessories for more details

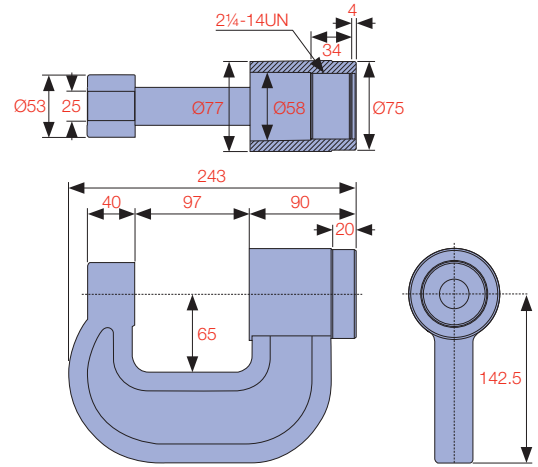


H Top to Return Port (mm)	I Base to Advance Port (mm)	K Piston Rod Protrusion (mm)	L Clevis Eye Mounting Dim. (mm)	L1 Clevis Eye Mounting Dim. (mm)	M Clevis Eye Mounting Dim. (mm)	N Neck Length (mm)	P Piston Rod Thread Length (mm)	Q Piston Rod Extension Thread	W Collar Thread	X Collar Thread Length (mm)	Z Internal Base Thread	Z1 Internal Base Thread Length (mm)	Weight (kg)
48	48	24	257	286	41.0	29	19.1	1/2"-20	1-3/8"-12	11	1-1/8"-20	9	2.0
48	48	24	307	387	41.0	29	19.1	1/2"-20	1-3/8"-12	11	1-1/8"-20	9	2.6
48	48	24	384	540	41.0	29	19.1	1/2"-20	1-3/8"-12	11	1-1/8"-20	9	3.6
58	58	25	295	324	38.0	38	19.1	3/4"-16	2"-12	14	1-11/16"-18	14	3.0
58	58	25	347	426	38.0	38	19.1	3/4"-16	2"-12	14	1-11/16"-18	14	4.2
58	58	25	423	579	38.0	38	19.1	3/4"-16	2"-12	14	1-11/16"-18	14	5.6
58	58	25	525	782	38.0	38	19.1	3/4"-16	2"-12	14	1-11/16"-18	14	7.3
74	74	30	495	654	52.0	54	25.4	1-1/8"-12	2-5/8"-16	22	2-3/16"-16	24	10.2
74	74	30	593	853	52.0	54	25.4	1-1/8"-12	2-5/8"-16	22	2-3/16"-16	24	14.5
89	89	27	530	689	53.0	70	25.4	1-1/2"-12	3-1/4"-16	29	2-3/4"-16	26	16.0
89	89	27	631	892	53.0	70	25.4	1-1/2"-12	3-1/4"-16	29	2-3/4"-16	26	20.3

CYLINDER ACCESSORIES

HYDRAULIC CYLINDERS

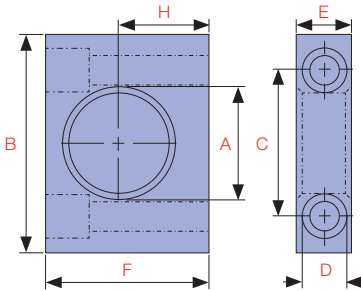
DCC-10 CLAMP



Weight: 4.8 kg (without cylinder)

DCC-10 CLAMP MAY BE USED WITH A RG-106 10 TON CYLINDER[^]

FOOT MOUNTING FOR USE WITH RETAINING NUT

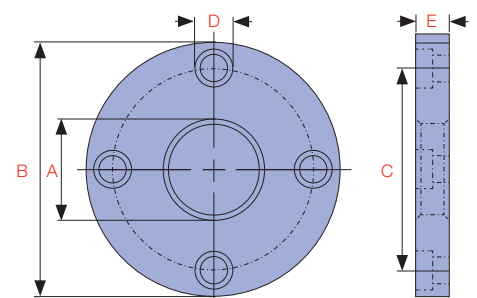


Model No.	Cylinder Capacity		Dimensions (mm)							Suits Model
	ton*	kN	A	B	C	D	E	F	H	
RAD-141	4	35	35.1	76.2	58.0	10.5	20.0	57.0	31.8	RDP 4 ton
RAD-171	9	80	50.8	101.6	78.0	13.5	25.0	82.5	44.5	RDP 9 ton
RAD-181	16	142	66.8	127.0	95.2	20.0	35.0	100.0	52.4	RDP 16 ton
RAD-191	25	222	82.6	158.8	117.5	26.5	45.0	125.0	63.5	RDP 25 ton



FLANGE MOUNTING FOR USE WITH RETAINING NUT

Model No.	Cylinder Capacity		Dimensions (mm)					Suits Model
	ton*	kN	A	B	C	D	E	
RAD-142	4	35	35.1	98.6	78.5	10.4	19.0	RDP 4 ton
RAD-172	9	80	50.8	120.7	98.6	10.4	25.4	RDP 9 ton
RAD-182	16	142	66.8	143.0	115.9	13.5	35.0	RDP 16 ton
RAD-192	25	222	82.6	165.1	135.6	16.8	44.5	RDP 25 ton

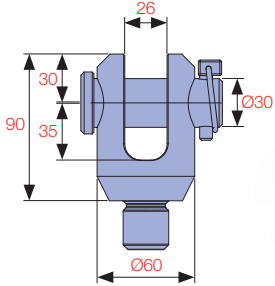


*Nominal Cylinder Capacity in ton - see kN values for actual capacity
[^] RG cylinder sold separately

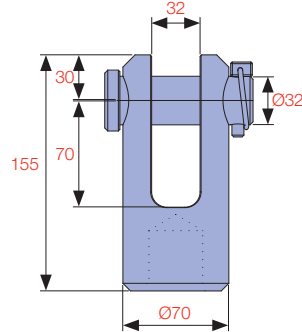


OPTIONAL CLEVIS ENDS

Note: 2 x Clevis and Pin Sets required per cylinder

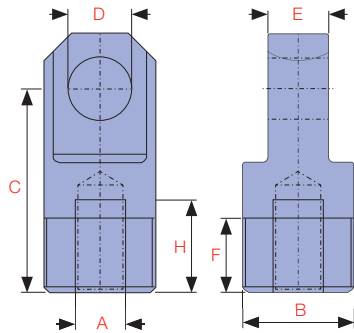


RAP-106-CA suits RAP-106

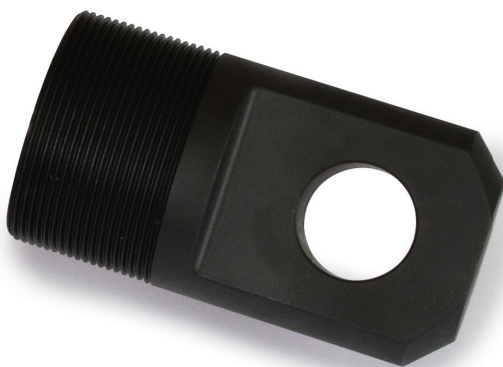


RAP-206-FCA suits RAP-206

CLEVIS EYE

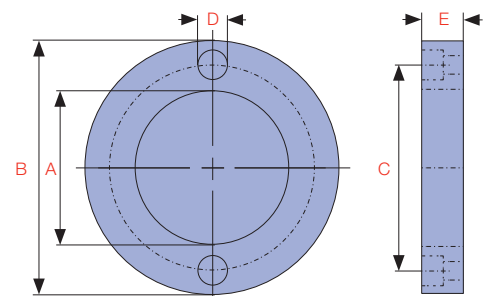


Model No.	Cylinder Capacity		Dimensions (mm)						Suits Model	
	ton*	kN	A	B	C	D	E	F		H
RAD-150**	4	35	1/2"-20	1-1/8"-20	52.4	16.0	15.9	19.1	23.8	RDP 4 ton
RAD-151**	9	80	3/4"-16	1-11/16"-18	57.1	20.0	25.4	25.4	23.8	RDP 9 ton
RAD-152**	16	142	1-1/8"-12	2-3/16"-16	77.8	25.0	31.8	25.4	30.2	RDP 16 ton
RAD-153**	25	222	1-1/2"-12	2-3/4"-16	77.8	32.0	38.2	25.4	27.0	RDP 25 ton



RETAINING NUT

Model No.	Cylinder Capacity		Dimensions (mm)					Suits Model
	ton*	kN	A	B	C	D	E	
RAD-143	4	35	1-3/8"-12	57.0	49.5	6.3	9.5	RDP 4 ton
RAD-173	9	80	2"-12	75.0	65.5	6.7	12.7	RDP 9 ton
RAD-183	16	142	2-5/8"-16	92.0	81.0	6.7	19.0	RDP 16 ton
RAD-193	25	222	3-1/4"-16	108.0	96.5	6.7	25.4	RDP 25 ton



*Nominal Cylinder Capacity in ton - see kN values for actual capacity
 **See RDP-Series table for Clevis Eye Mounting Dimensions (L, L1 & M)