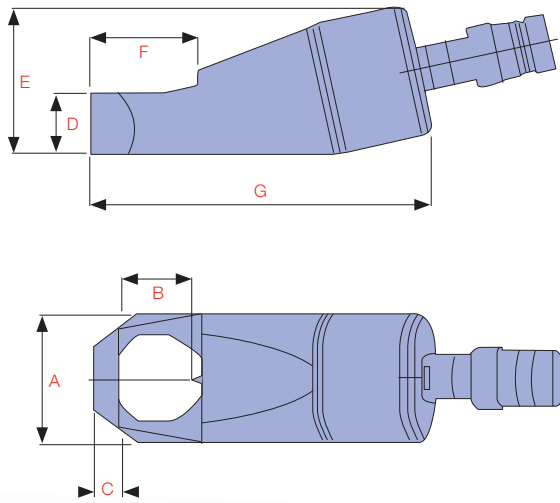


T

BOLTING SOLUTIONS

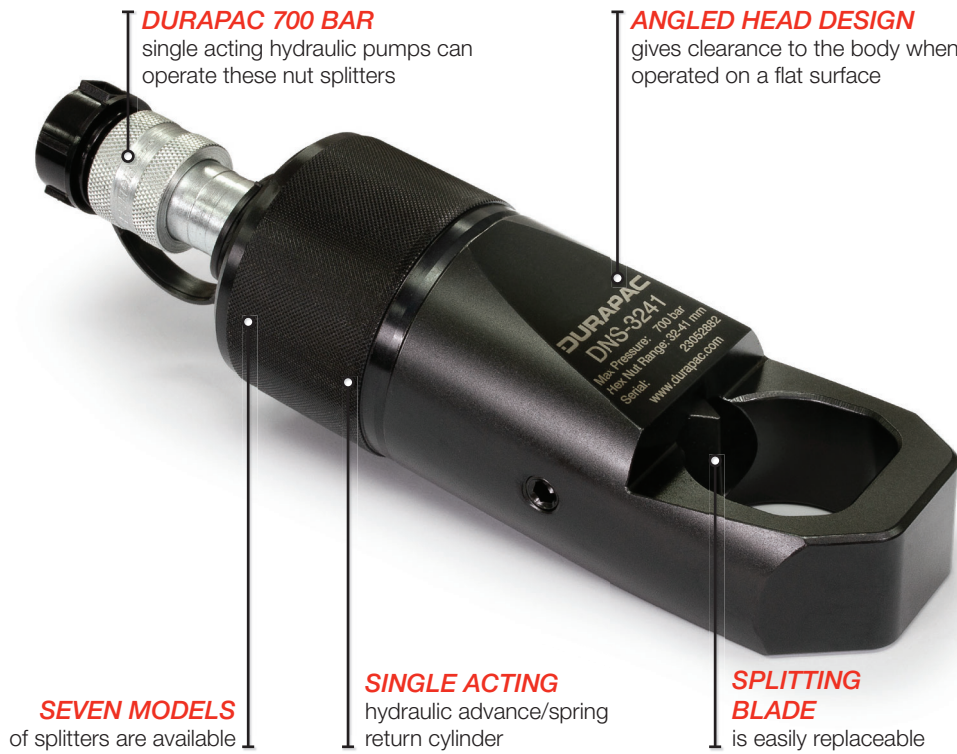


THE **DNS-SERIES** OF NUT SPLITTERS CONSISTS OF SEVEN MODELS FOR HANDLING DIFFICULT TO REMOVE NUTS RANGING FROM 10 – 75 MM A/F CAPACITY.

They are a proven performer in the railway, pipelines, petro-chemical, heavy vehicles, mining, steel and industrial applications. DNS-Series Nut Splitters use a single acting hydraulic-advance/spring return cylinder offering between 5 - 90 ton of force. All models can be driven by a 700 bar lightweight single acting hand pump or power unit. The unique angled-head design gives clearance to the body when operating on a flat surface. They are a compact design capable of splitting nuts up to hardness HRc44. Each tool is supplied in a heavy duty moulded plastic storage case except DNS-6075 which comes with a wooden case.



Model No.	Bolt Range	Hex Nut Range (mm)	Capacity (ton)	Oil Capacity (cm ³)	Dimensions (mm)			Weight (kg)	Spare Blade Model Number
					Width	Length	Height		
DNS-1319	M6-M12	10-19	5	13	40	170	48	1.2	ZAT-1000
DNS-1924	M12-M16	19-24	10	21	54	191	62	2.0	ZAT-1002
DNS-2432	M16-M22	24-32	15	58	64	222	72	3.0	ZAT-1004
DNS-3241	M22-M27	32-41	20	88	75	244	88	4.4	ZAT-1006
DNS-4150	M27-M33	41-50	35	153	94	288	105	8.5	ZAT-1008
DNS-5060	M33-M39	50-60	50	233	106	318	128	11.8	ZAT-1010
DNS-6075	M39-M48	60-75	90	492	156	393	181	34.1	ZAT-1012



DURAPAC 700 BAR
single acting hydraulic pumps can operate these nut splitters

ANGLED HEAD DESIGN
gives clearance to the body when operated on a flat surface

SEVEN MODELS
of splitters are available

SINGLE ACTING
hydraulic advance/spring return cylinder

SPLITTING BLADE
is easily replaceable



BOLT RANGE
M6 - M48

HEX NUT RANGE
10 - 75 mm

MAXIMUM NUT HARDNESS
HRc-44

MAXIMUM OPERATING PRESSURE
700 bar

T

BOLTING SOLUTIONS



Durapac offer a range of lightweight portable hand pump options to suit the DNS-Series nut splitters. Spare chisel and storage case included with each tool



Model No.	Dimensions (mm)						
	A	B	C	D	E	F	G
DNS-1319	39.8	20.9	7.0	19.0	49.7	29.0	120.0
DNS-1924	53.8	25.3	10.0	25.0	62.2	40.0	146.0
DNS-2432	64.0	33.6	13.0	30.0	76.5	51.8	181.0
DNS-3241	77.0	42.7	16.0	36.0	87.3	64.9	205.0
DNS-4150	94.0	53.8	21.1	44.7	108.0	76.0	244.0
DNS-5060	106.0	60.8	24.3	54.3	125.3	92.0	289.0
DNS-6075	156.2	80.4	27.0	75.0	184.0	110.0	365.0