

THE **HRP-SERIES** ROLL FRAME PRESSES ARE IDEAL FOR WORKSHOP PRESSING JOBS SUCH AS INSTALLATION OR REMOVAL OF BEARINGS AND GEARS OR OTHER PRESS FIT PARTS.

The HRP Series is designed to allow the rolling frame to roll across the press bed for easy loading of large bulky items. The frame is welded for maximum strength and durability. All models come complete with a heavy duty roll Frame, electric/hydraulic power unit, D/A cylinder, pressure gauge and electric bed winch.



HRP-200 with Optional Safety Frame

Model Number	Capacity		Hyd. Stroke (mm)	Pressure Rating (bar)	Power Unit Model No. †	Cylinder Model No.	Approx. Weight (kg)
	ton	kN					
HRP-50	50	498	334	700	PES3024	RD-5013	1,150
HRP-100	100	933	333	700	PES3024	RD-10013	2,180
HRP-150	150	1,386	333	700	PES3024	RD-15013	3,700
HRP-200	200	1,995	330	700	PES3024	RD-20013	4,000

† PES3024 3 Phase Power Unit can be either 3.0 kW, 400 Volt, 50 Hz OR 3.6 kW, 440-480 Volt, 60 Hz

ROLLING FRAME

allows for convenient loading of large and bulky items

ROLLING HEAD

for off-centre pressing applications

ELECTRIC POWER UNIT

3 phase power

REMOTE

with 4 M lead



FRAME LOCK

rolling frame is locked by a hydraulic hand pump and cylinders

SAFETY FRAME*

with polycarbonate shielding

DOUBLE ACTING CYLINDER

with 13" stroke

V BLOCKS

included as standard

STATIONARY BED

for stability



CAPACITY RANGE

50 - 200 ton

OPERATION

Electric/Hydraulic

MAXIMUM OPERATING PRESSURE

700 bar

HYDRAULIC PRESSES

HRP-200



ELECTRIC BRAKE WINCH

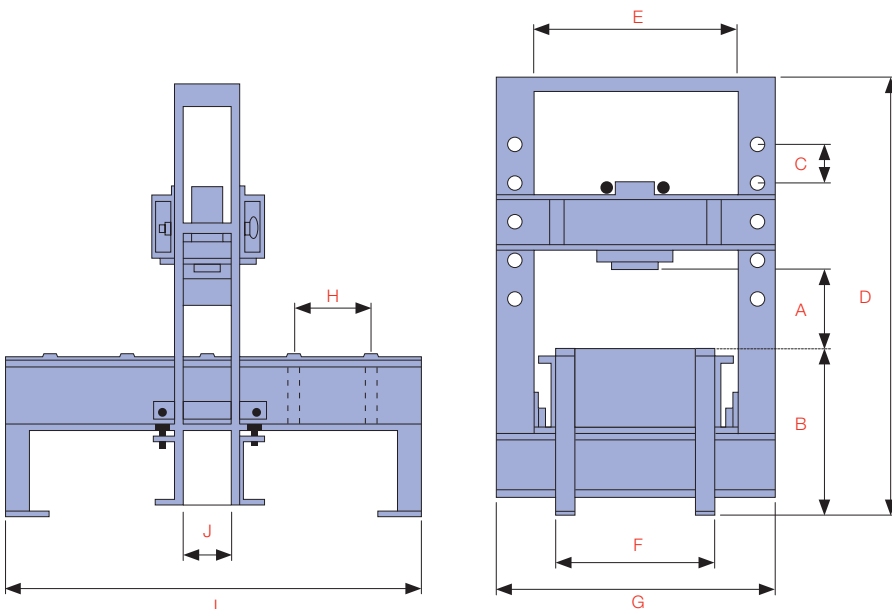
easily controls bolster adjustment

ROLLING FRAME HAND PUMP

to lock the rolling frame in position



The optional 'general purpose' shielding consisting of a Steel Frame with Polycarbonate Clear Sheets may be used in many different applications



A (mm)	B (mm)	C (mm)	D (mm)	E (mm)	F (mm)	G (mm)	H (mm)	I (mm)	J (mm)
300 - 1,300	800	200	2,720	1,000	800	1,200	340	2,000	200
300 - 1,300	800	200	2,720	1,000	800	1,300	340	2,000	200
300 - 1,300	800	200	2,900	1,025	800	1,400	340	2,000	225
300 - 1,300	800	200	2,900	1,025	800	1,300	340	2,000	220

* Optional attachment