

## DOUBLE ACTING HOLLOW PISTON CYLINDERS



HYDRAULIC CYLINDERS



RHD-2006-128

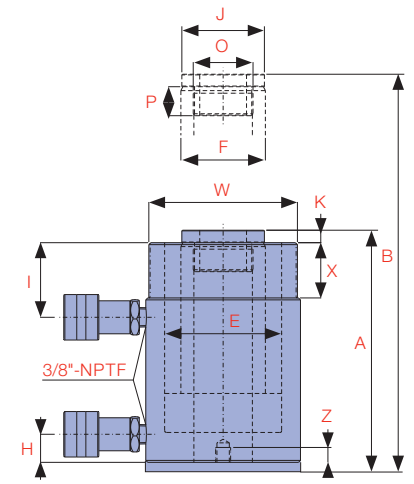


RHD-1003

THE **RHD-SERIES** IS A DOUBLE ACTING HOLLOW PISTON ROD CYLINDER.

The hollow piston allows for a rod or cable to be inserted through the entire body length, while the double acting design improves speed of operation when longer stroke cylinders are required. They can be used in tensioning, load testing, bush extracting, and maintenance applications. All cylinders in this range have base mounting holes.

**i**  
Consult Durapac for cylinders with custom tonnage and/or stroke



Model Number	Cylinder Capacity			Stroke (mm)	Cylinder Effective Area		Oil Capacity		A Collapsed Height (mm)	B Extended Height (mm)	D Outside Diameter (mm)	E Cylinder Bore Diameter (mm)
	ton*	Advance kN	Retract kN		Advance (cm <sup>2</sup> )	Retract (cm <sup>2</sup> )	Advance (cm <sup>3</sup> )	Retract (cm <sup>3</sup> )				
RHD-307	30	326	213	178	46.6	30.4	830	541	340	518	114	88.9
RHD-3010		326	213	258	46.6	30.4	1,203	784	441	699	114	88.9
RHD-603	60	576	377	94	82.3	53.8	732	479	259	348	159	123.9
RHD-606		576	377	166	82.3	53.8	1,366	893	335	501	159	123.9
RHD-6010		576	377	257	82.3	53.8	2,115	1,382	450	707	159	123.9
RHD-1001	100	931	612	38	133.0	87.4	506	332	181	219	212	165.1
RHD-1003		931	612	76	133.0	87.4	1,012	664	270	346	212	165.1
RHD-1006		931	612	153	133.0	87.4	2,037	1,337	358	511	212	165.1
RHD-10010		931	612	257	133.0	87.4	3,421	2,245	476	733	212	165.1
RHD-1508	150	1,429	718	203	204.1	102.6	4,142	2,082	365	568	247	190.5
RHD-2006-128	200	2,028	894	150	289.7	127.8	4,345	1,916	397	547	325	250.0
RHD-3006	300	3,004	1,346	150	429.2	192.3	6,438	2,885	367	501	350	270.0

\* Nominal Cylinder Capacity in ton - see kN values for actual capacity

### SAFETY PRESSURE

relief valve protects cylinder from intensification due to checked hydraulic return coupling

### GLAND NUT

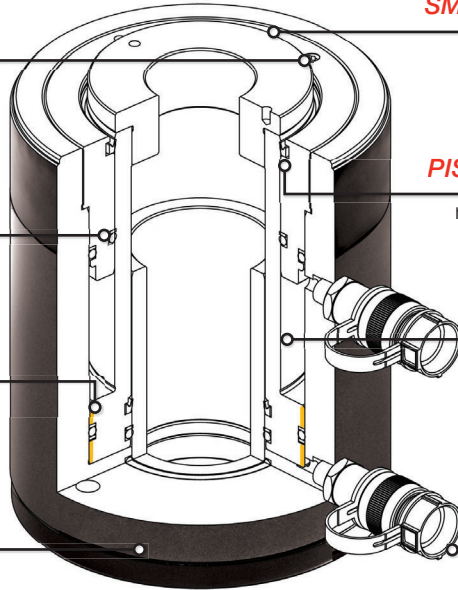
with low friction coating withstands full dead end loading

### BRONZE OVERLAY

on piston bearing area reduces side load induced damage and extends cylinder life

### STEEL BASE PLATE

protects base and is removable to allow use of threaded mounting holes



### THREADED FIT SMOOTH LOAD CAP

to prevent piston rod damage. Optional TSH threaded load caps available

### PISTON ROD WIPER

reduces contaminants

### HARD CHROME PLATED PISTON ROD

for maximum corrosion resistance and cylinder life

### PARKER

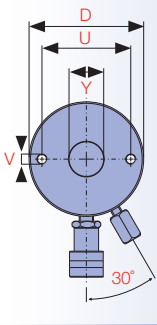
industry standard high flow couplings for compatibility

**CAPACITY RANGE**  
**30 - 300 ton**

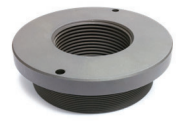
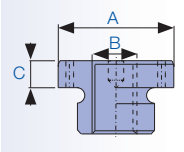
**STROKE RANGE**  
**38 - 258 mm**

**MAXIMUM OPERATING PRESSURE**  
**700 bar**

HYDRAULIC CYLINDERS



Base Mounting Holes			Model Number	Optional Threaded Load Caps			Handle Type	
U Bolt Circle Diameter (mm)	V Thread	Z Thread Depth (mm)		Model Number	A (mm)	B C (mm)		
92.2	3/8"-16UNC	15.7	RHD-307	TSH-30	63	1-1/4"-7UNC	9	♥
92.2	3/8"-16UNC	15.7	RHD-3010	TSH-30	63	1-1/4"-7UNC	9	♥
130.0	1/2"-13UNC	14.0	RHD-603	TSH-60	91	1-5/8"-5-1/2UN	12	♥
130.0	1/2"-13UNC	14.0	RHD-606	TSH-60	91	1-5/8"-5-1/2UN	12	♥
130.0	1/2"-13UNC	14.0	RHD-6010	TSH-60	91	1-5/8"-5-1/2UN	12	♥
177.8	5/8"-11UNC	19.0	RHD-1001	TSH-100	126	2-1/2"-8UN	13	♥
177.8	5/8"-11UNC	19.0	RHD-1003	TSH-100	126	2-1/2"-8UN	13	♥
177.8	5/8"-11UNC	19.0	RHD-1006	TSH-100	126	2-1/2"-8UN	13	♥
177.8	5/8"-11UNC	19.0	RHD-10010	TSH-100	126	2-1/2"-8UN	13	♥
214.0	5/8"-11UNC	15.0	RHD-1508	Consult Durapac				♥
260.0	5/8"-11UNC	34.0	RHD-2006-128	Consult Durapac				♦
260.0	5/8"-11UNC	32.0	RHD-3006	Consult Durapac				♦



F Piston Rod Diameter (mm)	H Base to Advance Port (mm)	I Top to Return Port (mm)	J Standard Load Cap Diameter (mm)	K Load Cap Protrusion from Piston Rod (mm)	O Piston Rod Internal Thread	P Piston Rod Thread Length (mm)	W Collar Thread	X Collar Thread Length (mm)	Y Centre Hole Diameter (mm)	Weight (kg)	Model Number
63.5	25	60	63	9	1-13/16"-16UN	22	4-1/2"-12UN	42	33.3	21	RHD-307
63.5	25	60	63	9	1-13/16"-16UN	22	4-1/2"-12UN	42	33.3	27	RHD-3010
92.2	31	66	91	12	2-3/4"-16UN	19	6-1/4"-12UN	48	54.1	28	RHD-603
92.2	31	66	91	12	2-3/4"-16UN	19	6-1/4"-12UN	48	54.1	35	RHD-606
92.2	31	66	91	12	2-3/4"-16UN	19	6-1/4"-12UN	48	54.1	45	RHD-6010
127.0	38	44	126	12	4"-16UN	25	-	-	79.5	33	RHD-1001
127.0	38	85	126	12	4"-16UN	25	8-3/8"-12UN	60	79.5	61	RHD-1003
127.0	38	85	126	12	4"-16UN	25	8-3/8"-12UN	60	79.5	79	RHD-1006
127.0	38	85	126	12	4"-16UN	25	8-3/8"-12UN	60	79.5	106	RHD-10010
152.4	38	60	127	4	4-1/4"-12UN	25	-	-	79.5	111	RHD-1508
215.0	73	90	215	31	M168 x 2.5	44	-	-	128.0	185	RHD-2006-128
220.0	56	80	220	31	M145 x 2.5	35	-	-	116.0	210	RHD-3006

HANDLE TYPES: ♦ EYEBOLT ♥ REMOVABLE STRAP HANDLE