

A

SPECIALTY LIFTING SYSTEMS



THE **SLIMLINE SAFE D LOCK** (SDL) JACK IS A LIFTING JACK AND RATED VEHICLE JACK STAND FOR HEAVY MINING VEHICLES WHERE NARROW ACCESS IS REQUIRED.

These jacks were designed to suit KRESS/Cat® trucks where access is required within the double wheel structure or other tight spaces. With all the safety features of a standard SDL but in a slimmer, more compact size.



Australian designed and built to meet AS/NZS 2693:2007 standard for vehicle jacks, it also meets AS/NZS 2538:2004 standard for vehicle support stands

SDL-10055-KR

Model Number	Jack Capacity			Cylinder Effective Area (cm <sup>2</sup> )	A Collapsed Height (mm)**	B Base Plate Diameter (mm)	C Folded Length (mm)	D Jack Length (mm)	Stroke (mm)	Max. Lift Height (mm)***	Oil Tank Capacity (L)	Weight (kg)
	Metric (tonne)	US (ton)*	(kN)									
SDL-10055-KR	100	110	980	143	550	505	1,147	2,027	274	1,250	24	270
SDL-10068-KR	100	110	980	143	680	505	1,147	2,027	404	1,408	24	290

\* Nominal Cylinder Capacity in ton - see kN values for actual capacity. \*\* Includes load cap height of 22 mm  
 \*\*\* Maximum lift height for AS/NZS 2538:2004 Vehicle Support Stand Rating

## SLIMLINE LIFTING JACK & STAND

### TILT ADJUSTABLE HANDLE

for ease of manoeuvring and compact storage

### SERRATED STEEL LOAD CAP

included as standard

### LIFTING EYES

allow slinging of the jack

### HIGH STRENGTH STEEL BASE PLATE

resists deformation

### ALUMINIUM REMOTE PENDANT

with mounted lock and unlock indicators & 5 M hose for added safety

### NARROW WIDTH

520 mm maximum width at the wheels

### SOLID WHEELS

are cast steel with a polyurethane coating



#### CAPACITY

**100 tonne  
(110 US ton)**

#### STROKE RANGE

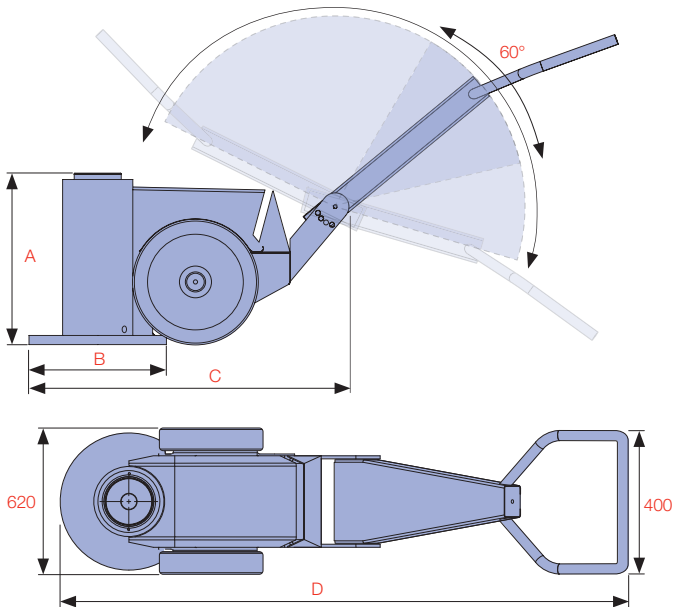
**274 - 404 mm**

#### WORKING AIR PRESSURE RANGE

**5.6 - 7.0 bar**

#### AIR CONSUMPTION RANGE

**2,265 - 4,530 Lpm**



See Page 16 for SD-Accessories



**A**

**SPECIALTY LIFTING SYSTEMS**

## SD-ACCESSORIES

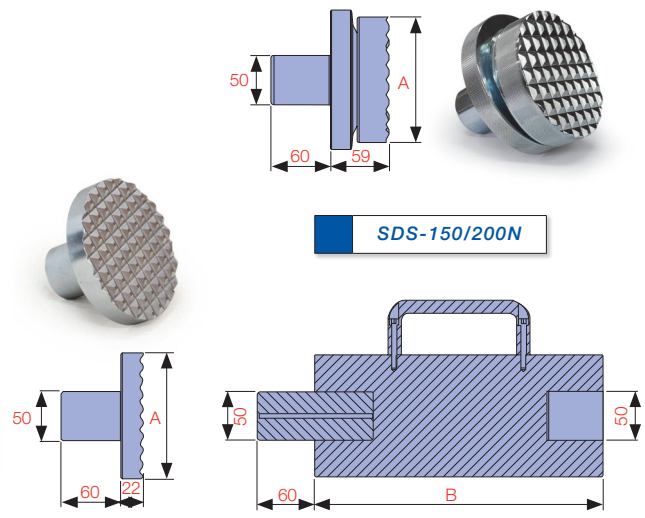
A

SPECIALTY LIFTING SYSTEMS



**SDL WITH CUSTOM LOAD CAP**

THE SD-ACCESSORIES ARE DESIGNED TO SUIT THE COMPACT **SAFE D LOCK** JACK AND IT'S EXTENDED FAMILY OF JACKS. THIS INCLUDES THE **POWERDRIVE**, EXTRA COMPACT, TALLEST, SLIMLINE & SDN-SERIES JACKS & DJS-SERIES JACK STANDS.



**SDLC LOAD CAP**

**EXTENSION 100 - 500 mm**

Model Number	Capacity (ton)	Description	A Diameter (mm)	B Height (mm)	Spigot Depth (mm)	Spigot Diameter (mm)	Weight (kg)	Suits Model(s)	
SDE100-100	70/100	100 mm Extension	126	100	60	50	7	SDL/SDN 70 - 100 ton	
SDE100-150	70/100	150 mm Extension	126	150	60	50	7		
SDE100-200	70/100	200 mm Extension	126	200	60	50	7		
SDE100-300	70/100	300 mm Extension	126	300	60	50	13		
SDE100-400	70/100	400 mm Extension	126	400	60	50	13		
SDLC-100	70/100	Serrated Steel Load Cap*	112	22	60	50	3		
SDS-100N	70/100	Serrated Tilt Saddle	108	50	60	50	5	SDL/SDN 150 ton & DJS Stands	
SDE150-150	150	150 mm Extension	126	150	60	50	7		
SDE150-200	150	200 mm Extension	126	200	60	50	7		
SDE150-250	150	250 mm Extension	126	250	60	50	7		
SDE150-300	150	300 mm Extension	126	300	60	50	13		
SDE150-350	150	350 mm Extension	141	350	60	50	13		
SDLC-150	150	Serrated Steel Load Cap*	126	22	60	50	3	SDL/SDN 150 - 200 ton & DJS Stands	
SDS-150/200N	150/200	Serrated Tilt Saddle	126	59	60	50	5		
SDE200-100	200	100 mm Extension	141	100	60	50	8		SDL/SDN 200 ton & DJS Stands
SDE200-150	200	150 mm Extension	141	150	60	50	8		
SDE200-200	200	200 mm Extension	141	200	60	50	15		
SDE200-300	200	300 mm Extension	141	300	60	50	15		
SDE200-400	200	400 mm Extension	141	400	60	50	15		
SDE200-500	200	500 mm Extension	141	500	60	50	15		
SDLC-200	200	Serrated Steel Load Cap*	126	22	60	50	4		

