

SAFE D LOCK
+ **POWERDRIVE**

THE **TALLEST SAFE D LOCK (SDL) JACK** + **POWERDRIVE** SAFELY ACHIEVES EXTENDED LIFTING HEIGHTS AND IS A RATED VEHICLE JACK STAND FOR HEAVY MINING VEHICLES.

These jacks have the tallest rated lockable height in our range due to the larger base plate and a strengthened gusset supported cylinder. Even when fully extended, this jack is compliant with Australian Standards for Vehicle Jacks & Support. The POWERDRIVE safely & easily moves the jack to the perfect position.



SDL-20096-PD-620



Australian designed and built to meet AS/NZS 2693:2007 standard for vehicle jacks, it also meets AS/NZS 2538:2004 standard for vehicle support stands

Model Number	Jack Capacity			Cylinder Effective Area (cm ²)	A Collapsed Height (mm)**	B Base Plate Diameter (mm)	Stroke (mm)	Max. Lift Height (mm)***	Oil Tank Capacity (L)	Weight (kg)
	Metric (tonne)	US (ton)*	(kN)							
SDL-20096-PD-620	181	200	1,781	254	960	620	685	2,100	24	590

* Nominal Cylinder Capacity in ton - see kN values for actual capacity. ** Includes load cap height of 22 mm
*** Maximum lift height for AS/NZS 2538:2004 Vehicle Support Stand Rating

EXTENDED HEIGHT

2,100 mm

TILT ADJUSTABLE HANDLE

for ease of manoeuvring and compact storage

INDEPENDENT DEADMAN SWITCHES

for easy manoeuvring and safety

THREE POSITION TOGGLE

F (Forward) N (Neutral) R (Reverse)

LARGER BASE PLATE

increases stability

SERRATED STEEL LOAD CAP

included as standard. Custom load caps and tilt saddles are available

ALUMINIUM REMOTE PENDANT

with mounted lock and unlock indicators & 5 M hose for added safety

LOCKABLE ISOLATION VALVE

relieves downstream air for extra safety and security

GUSSET SUPPORTED CYLINDER

for added strength to allow extended lifting height



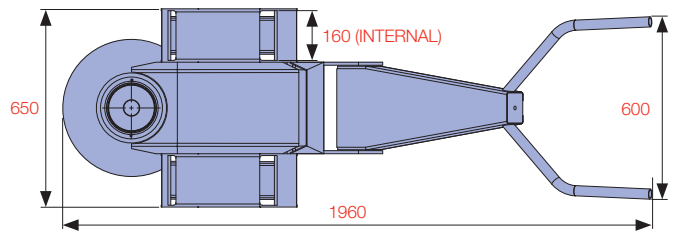
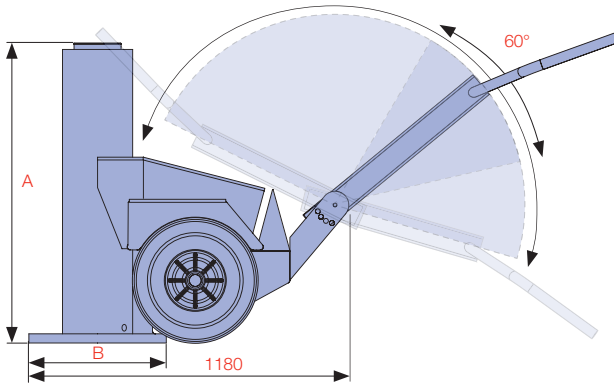
CAPACITY
181 tonne (200 US ton)

STROKE
685 mm

WORKING AIR PRESSURE RANGE
5.6 - 7.0 bar

AIR CONSUMPTION RANGE
2,265 - 4,530 Lpm

A
SPECIALTY LIFTING SYSTEMS



SDE200-400 & SDE200-500 are the perfect accessory for tall applications

See Page 16 for SD-Accessories



SDE-200-500



SDE-200-400

SD-ACCESSORIES

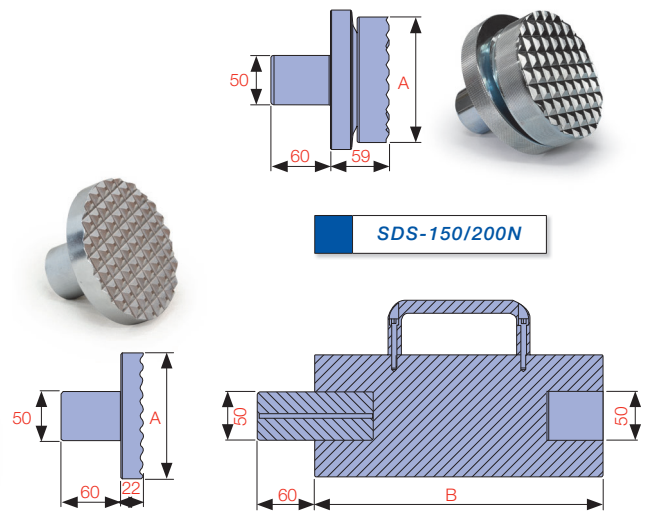
A

SPECIALTY LIFTING SYSTEMS



SDL WITH CUSTOM LOAD CAP

THE SD-ACCESSORIES ARE DESIGNED TO SUIT THE COMPACT **SAFE D LOCK** JACK AND IT'S EXTENDED FAMILY OF JACKS. THIS INCLUDES THE **POWERDRIVE**, EXTRA COMPACT, TALLEST, SLIMLINE & SDN-SERIES JACKS & DJS-SERIES JACK STANDS.



SDLC LOAD CAP

EXTENSION 100 - 500 mm

Model Number	Capacity (ton)	Description	A Diameter (mm)	B Height (mm)	Spigot Depth (mm)	Spigot Diameter (mm)	Weight (kg)	Suits Model(s)	
SDE100-100	70/100	100 mm Extension	126	100	60	50	7	SDL/SDN 70 - 100 ton	
SDE100-150	70/100	150 mm Extension	126	150	60	50	7		
SDE100-200	70/100	200 mm Extension	126	200	60	50	7		
SDE100-300	70/100	300 mm Extension	126	300	60	50	13		
SDE100-400	70/100	400 mm Extension	126	400	60	50	13		
SDLC-100	70/100	Serrated Steel Load Cap*	112	22	60	50	3		
SDS-100N	70/100	Serrated Tilt Saddle	108	50	60	50	5	SDL/SDN 150 ton & DJS Stands	
SDE150-150	150	150 mm Extension	126	150	60	50	7		
SDE150-200	150	200 mm Extension	126	200	60	50	7		
SDE150-250	150	250 mm Extension	126	250	60	50	7		
SDE150-300	150	300 mm Extension	126	300	60	50	13		
SDE150-350	150	350 mm Extension	141	350	60	50	13		
SDLC-150	150	Serrated Steel Load Cap*	126	22	60	50	3	SDL/SDN 150 - 200 ton & DJS Stands	
SDS-150/200N	150/200	Serrated Tilt Saddle	126	59	60	50	5		
SDE200-100	200	100 mm Extension	141	100	60	50	8		SDL/SDN 200 ton & DJS Stands
SDE200-150	200	150 mm Extension	141	150	60	50	8		
SDE200-200	200	200 mm Extension	141	200	60	50	15		
SDE200-300	200	300 mm Extension	141	300	60	50	15		
SDE200-400	200	400 mm Extension	141	400	60	50	15		
SDE200-500	200	500 mm Extension	141	500	60	50	15		
SDLC-200	200	Serrated Steel Load Cap*	126	22	60	50	4		

* Supplied as standard

Custom load caps are available - consult Durapac

